

The Elbow Luer Connector is a male luer to single barb connector especially designed for the ibidi Heating Stage in combination with the ibidi Pump System. It fits optimally in all μ -Slides with female Luer adapters placed in the heating stage on the microscope. Apart from that the Elbow Luer Connector may be used in any other combination connecting a female luer adapter to a tube.

1 Material

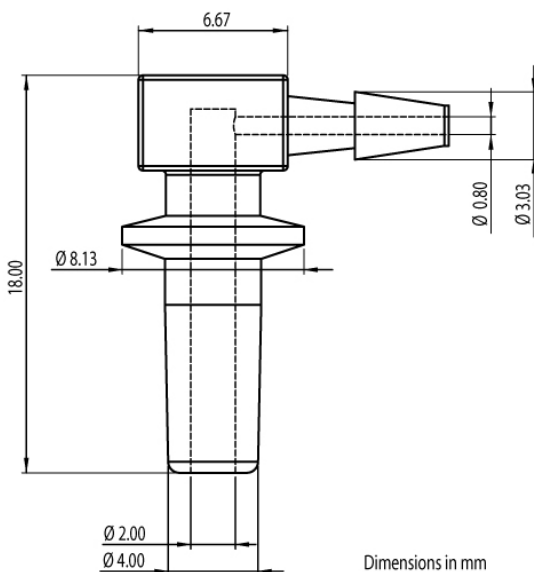
The Elbow Luer Connector is produced of white polypropylene copolymer. It is resistant to ethanol, acetone and ethyl acetate. The material is tested for cell growth compatibility. The Elbow Luer Connector can be sterilized by autoclaving, by ethylene oxide gas or with ethanol.

2 Applications

The Elbow Luer Connector can be included in any connection between a female luer adapter to a flexible tubing with an inner diameter of 0.8–1.6 mm. The very low height of 18 mm is especially designed for the application to μ -Slides in combination with the ibidi Heating Stage. The total height of the luer placed in a μ -Slide I Luer is 21 mm, so it fits optimally in the heating chamber.

3 Specifications

Male Luer Adapter	
Suitable for:	Female Luer adapters
Inner diameter:	2 mm
Single Barb	
Suitable for:	Flexible tubes, ID 0.8–1.6 mm
Inner diameter:	0.8 mm
General	
Total height:	18 mm
Angle	90°
Temperature stability:	Up to 125°C (autoclavable)
Material:	Polypropylene
Color	White
Resistant to:	Ethanol, acetone, ethyl acetate
Max. pressure	500 mbar



Ordering Information

The Elbow Luer Connector is available in a packaging size of 50 pcs.

Cat. No.	Description	Characteristics
10802	Elbow Luer Connector Male: white Polypropylene	sterilized

For research use only!

Further technical specifications can be found at www.ibidi.com. For questions and suggestions please contact us by e-mail info@ibidi.de or by telephone +49 (0)89/520 4617 0. All products are developed and produced in Germany.

© ibidi GmbH, Am Klopferspitz 19, 82152 Martinsried, Germany.