

VIP

-80°C Chest Freezer

84 L



MDF-C8V1-PE



PHCbi's MDF-C8V1 **VIP** -80°C Chest Freezer provides maximum sample storage capacity within an optimum footprint combined with industry leading cooling performance and reliability for an ideal long-term preservation solution.

Optimum Sample Storage

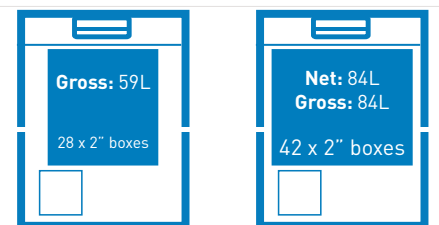
The use of patented VIP PLUS panels within the freezer cabinet provides a reduced wall thickness for maximum interior volume. This technology allows the MDF-C8V1 to require a small installation space with a great storage capacity.

Reliable PHCbi Technologies

A Cool Safe® compressor that is specifically designed for ultra-low temperature applications is employed in the proven PHCbi auto-cascade refrigeration system ensuring the highest levels of performance and reliability.

Ease of Use & Intelligent Security

Comprehensive setpoint, alarm, monitoring and diagnostic functions supervised by PHCbi-built microprocessor controller with digital display of all functions.



Personal Storage

Ideal for reliable storage of small volume clinical trial samples and temperature control testing.



Dependable Preservation

Quality of design and manufacture ensures trusted, reliable storage that maintains the integrity of precious samples.



Uniform Sample Storage

The uniform and stable temperatures provided are ideal for storage of DNA, RNA and other important biological samples.

VIP -80°C Chest Freezer



Specially developed single-compressor system

The unique auto-cascade system uses a single compressor for efficient cooling, enabling an extremely small footprint. The highly efficient refrigeration system provides uniform and stable ultra-low temperatures with a reduced power consumption and extremely low noise operation.

Filterless Design

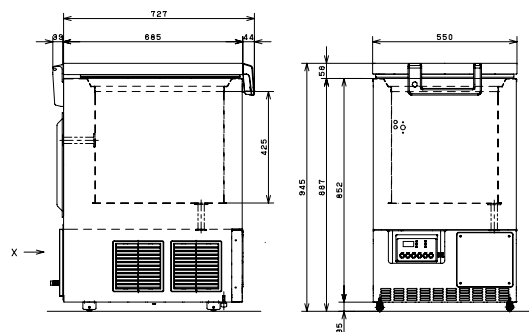
The unique cooling circuit makes the inconvenient customer maintenance procedure of filter cleaning unnecessary.

Minimal Footprint

PHCbi VIP ULT freezers provide up to 30% more storage capacity than a conventionally insulated freezer without increasing the footprint. The MDF-C8V1 features VIP PLUS vacuum panels for increased energy efficiency and cooling performance.

Microprocessor Control

Managed and monitored by an integrated microprocessor controller with a comprehensive alarm system and diagnostic functions.



| Model Number | | MDF-C8V1-PE |
|---|----------|-------------------------------------|
| External Dimensions (W x D x H) ¹⁾ | mm | 550 x 685 x 945 |
| Internal Dimensions (W x D x H) | mm | 405 x 490 x 425 |
| Volume | litres | 84 |
| Net Weight | kg | 67 |
| Capacity | 2" boxes | 42 |
| Performance | | |
| Cooling performance ²⁾ | °C | -80 |
| Temperature setting range | °C | -55 to -90 |
| Temperature control range ²⁾ | °C | -60 to -80 |
| Control | | |
| Controller | | Microprocessor, non-volatile memory |
| Display | | LED |
| Temperature sensor | | Pt-1000 |
| Refrigeration | | |
| Refrigeration system | | Auto-cascade |
| Compressor | W | 400 |
| Refrigerant | | HFC mixed |
| Insulation material | | PUF / VIP Plus |
| Insulation thickness | mm | 70 |
| Construction | | |
| Exterior Material | | Painted Steel |
| Interior Material | | Stainless Steel |
| Outer Lid | qty | 1 |
| Outer Lid Lock | | Y |
| Inner Lid | qty | 1 (Styrofoam) |
| Access Port | qty | 2 |
| Access Port Position | | Back/Bottom |
| Access Port Diameter | ∅ mm | 17 |
| Casters | qty | 4 (2 leveling feet) |
| Alarms (R = Remote Alarm, V = Visual Alarm, B = Buzzer Alarm) | | |
| Power Failure | | V-B-R |
| High Temperature | | V-B-R |
| Low Temperature | | V-B-R |
| Filter | | Filterless design |
| Lid open | | V-B |
| Electrical and Noise Level | | |
| Power Supply | V | 230 |
| Frequency | Hz | 50 |
| Noise Level ³⁾ | dB [A] | 47 |
| Options | | |
| Liquid CO ₂ back-up ⁴⁾ | | MDF-UB4-PW |
| Temperature recorders | | |
| - Circular type ⁵⁾ | | MTR-G85C-PE |
| - Chart paper | | RP-G85-PW |
| - Ink pen | | PG-R-PW |
| - Continuous strip type | | MTR-85H-PW |
| - Chart paper | | RP-85-PW |
| - Ink pen | | DF-38FP-PW |
| - Recorder housing | | MDF-S3085-PE |
| Optional communication systems | | |
| Ethernet interface (LAN) | | MTR-L03-PW |

¹⁾ Exterior dimensions of main cabinet only, excluding handle and other external projections - See dimensions drawings on website for full details.

²⁾ Air temperature measured at freezer centre, ambient temperature +30°C, no load.

³⁾ Nominal value - Background noise 20dB(A).

⁴⁾ Requires mounting plate MDF-UBK-PW.

⁵⁾ Requires sensor cover MTR-C8-PW.